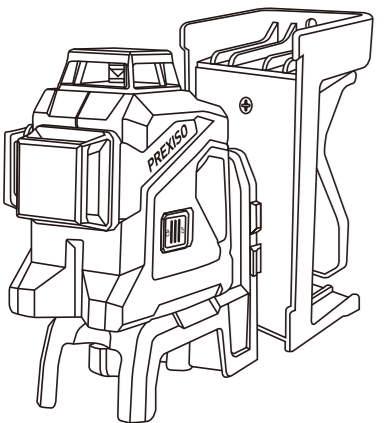


PREXISO



PLC3-360

RED-BEAM 3 PLANES CROSS LINE LASER LEVEL

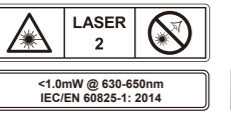


www.prexiso-eu.com

SAFETY INSTRUCTIONS

Working safely with the measuring tool is possible only when the operating and safety information are read completely and instructions contained herein are strictly followed. Never make warning labels on the measuring tool unrecognizable. SAVE THESE INSTRUCTIONS.

Caution – The use of operating or adjusting equipment or the application or processing methods other than those mentioned herein, can lead to hazardous radiation exposure.



Complies with 21 CFR 1040.10 and 1040.11 except for deviations pursuant to Laser Notice No.50, dated June 24, 2007



WARNING

LASER RADIATION. Do not stare into beam. Class II laser product. Turn the laser beam on only when using this tool.

- Do not remove or deface any product labels.
- Avoid direct eye exposure. The laser beam can cause persons being blinded.
- Do not operate the tool around children or allow children to operate the tool.
- Do not place the tool in a position that may cause anyone to stare at the laser beam, whether intentionally or unintentionally.
- Do not use on reflecting surfaces such as sheet steel, glass or polished metal etc. that have shiny, reflective surfaces. The shiny surface could reflect the beam back at the operator.
- Always turn the laser tool off when not in use. Leaving the tool on increases the risk of someone inadvertently staring into the laser beam
- Do not attempt to modify the performance of this laser device in any way. This may result in a dangerous exposure to laser radiation.
- Do not attempt to repair or disassemble the laser-measuring tool. If unqualified persons attempt to repair this product, serious injury may occur. Any repair required on this laser product should be performed only by qualified service personnel.
- Use of other accessories that have been designed for use with other laser tools could result in serious injury.
- Do not operate the tool outdoors.

- Do not place or store tool under extreme temperature conditions.
- Do not operate the tool in explosive environments, such as in the presence of flammable liquids, gases or dusts. Sparks can be created in the tool which may ignite the dust or fumes.
- Keep the tool away from cardiac pacemakers. The magnet inside the tool generates a field that can impair the function of cardiac pacemakers.
- Keep the tool away from magnetic data medium and magnetically-sensitive equipment. The effect of the magnetic can lead to irreversible data loss.
- Measurement may not be accurate if used beyond the rated range of the device.
- The use of optical instruments with this product will increase eye hazard.
- Always make sure any bystanders nearby aware of the dangers of looking directly into the measuring tool.
- Do not use the laser viewing glasses as safety goggles, they do not protect eyes against laser radiation.
- Always remove the batteries when cleaning the laser light aperture to laser lens.

TECHNICAL SPECIFICATIONS

COMPONENT	SPECIFICATIONS
Laser	λ=630-650nm, Class II laser, maximum laser output<1mW
Operating range (typically)	20M (65FT)*
Accuracy (typically)	±3mm@10M (±1/8" @32ft)
Self-leveling range	±4°
Estimated battery life	6 hours (alkaline batteries);
	16 hours (Lithium-ion battery)
Optimum operating temperature	14°F to 104°F (-10°C to 40°C)
Storage temperature	-4°F to 140°F (-20°C to 60°C)
Batteries	4 x 1.5V AA alkaline batteries; Rechargeable Lithium-ion battery

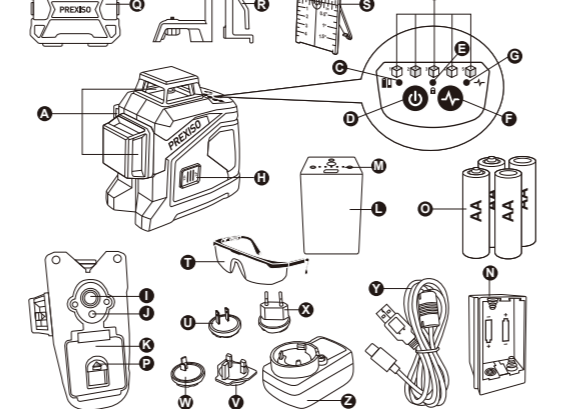
*Important: The accuracy is rated within distance of 10 meters. Under unfavorable conditions, such as in extreme interior illumination, transparent surfaces (eg. glass, water), porous surfaces (eg. insulation materials) or reflecting surfaces (eg. polished metal, glass) or very rough surfaces (eg. rough cast, natural stone), the tool's measuring range and accuracy will be reduced.

DESCRIPTION

KNOW YOUR 3 PLANES CROSS LINE LASER LEVEL

This 3 planes cross line laser level is a highly versatile tool. It can be placed on the ground, mounted on a door frame or work bench etc.when use the appropriate accessories eg. wall mount, tripod etc. but not limited.

- Self-leveling levels within +4 degrees to -4 degrees with an accuracy of ±3mm@10M (±1/8" @32ft).
- Rechargeable Lithium-ion battery and AA alkaline batteries



PARTS	DESCRIPTION
A	Laser beam outlet aperture
B	Available 5 leveling modes (1- Horizontal laser plane, 2-Horizontal laser plane, left-hand side vertical laser plane and front vertical laser plane, 3-Horizontal laser plane and front vertical laser plane, 4-Front vertical laser plane, 5-Left-hand side vertical laser plane and front laser plane)
C	State of charge of rechargeable battery/non-rechargeable batteries
D	Power ON / OFF / mode key and LED
E	Pendulum / transport lockLED

PARTS	DESCRIPTION
F	Pulse mode ON / OFF key
G	Pulse mode LED
H	Power ON / OFF and transport lock/release key
I	5/8 - 11 Threaded mount
J	1/4 - 20 Threaded mount
K	Battery bay
L	Rechargeable battery
M	State of charge of rechargeable battery
N	Non-rechargeable battery case
O	Non-rechargeable batteries
P	Battery release button
Q	Plastic case
R	Magnetic wall mount
S	Laser target
T	Laser glasses
U	Plug (US, Japan, China) ①
V	Plug (UK) ①
W	Plug (Australia) ①
X	Plug (EU, China) ①
Y	USB cable
Z	Charger

① Only one of the accessories shown or described is included with the product as standard based on customer's selection .

UNPACKING

When unpacking the box, do not discard any packing materials until all of the contents are accounted for:

- 3 planes cross line laser level
- Lithium-ion battery and 4x AA alkaline batteries
- Plastic case
- Charger with one specific plug and USB cable
- Magnetic wall mount
- Non-rechargeable battery case
- Laser target
- Laser glasses
- Operator's manual

Carefully lift the compact laser measuring tool out of the package and place it on a stable, flat surface.

ASSEMBLY

Measuring Tool Power Supply

The measuring tool can be operated either with conventional non-rechargeable batteries or with a Prexiso lithium-ion battery.

Operation with Rechargeable Battery

Use only the chargers listed in the technical data. Only these chargers are matched to the lithium-ion battery of your measuring tool.

Note: The use of batteries unsuitable for your measuring tool can lead to malfunctions or damage to the measuring tool.

Note: The battery is supplied partially charged. To ensure full battery capacity, fully charge the battery in the charger before using your tool for the first time.

The lithium-ion battery can be charged at any time without reducing its service life. Interrupting the charging process does not damage the battery.

The lithium-ion battery is protected against deep discharge by the Electronic Cell Protection (ECP). A protective circuit switches the measuring tool off when the battery is drained.

Do not switch the measuring tool back on after it has been switched off by the protective circuit. This can damage the battery.

To insert the charged battery (L), slide it into the battery bay (K) until you feel it engage .

To remove the battery (L), press the release buttons (P) and pull it out of the battery bay (K). Do not use force to do this.

Operation with Non-Rechargeable Batteries

It is recommended that you use alkaline batteries to operate the measuring tool. The batteries are inserted into the battery case(N) . The battery case is intended only for use in designated Prexiso measuring tools and must not be used with non-designated tools.

To insert the batteries, firstly insert 4 AA batteries provided into the battery case with the correct polarity, then, slide the battery case with batteries loaded into the battery bay (K) until you feel it engage .

To remove the batteries (N), press the re-lease buttons (P) and pull the battery case with batteries loaded out of the battery bay (K) . Do not use force to do this.

Note: Always replace all the batteries at the same time. Only use batteries from the same manufacturer and which have the same capacity.

Take the battery case loaded with batteries out of the measuring tool when you are not using it for a prolonged period of time. The batteries can corrode and self-discharge during prolonged storage.

Battery Charge Indicator

The battery charge indicator (C) shows the state of charge of the battery/batteries.

Solid LED

LED	STATE OF CHARGE
Green continuous light	100%-30%
Blinking red light	30%-10%
No light	<10%

If the rechargeable battery or non-rechargeable batteries are running low, the laser lines will gradually become dimmer. Immediately replace a faulty rechargeable battery or any empty batteries.

OPERATION

Automatic operating mode

When the measuring tool is under switch-off status, slide the switch to the direction of the side, the measuring tool is switched on and a horizontal laser plane is generated. The measuring tool has five available operating modes (B) which you can switch between at any time by short pressing the button.

Manual operating mode

When the measuring tool is under switch-off status, press the button for 2 seconds, the measuring tool is switched on and the pendulum/transport is locked. 5 available operating modes(B) can be switched between at any time by short pressing the button. Under such circumstances, the pendulum/transport lock LED is solid red, the laser lines start blinking and the measuring tool can not be leveled automatically. Slide the switch to the direction of the side, the pendulum/transport lock LED is turned off, laser lines stop blinking and the measuring tool can be leveled automatically.

The measuring tool can be switched off by sliding the switch to the direction of the side and by pressing the button for 2 seconds when the switch is on the direction of the side.

Receiver operating mode

Receiver mode must be activated when working with the laser receiver, no matter which operating mode is selected. In receiver mode, the laser lines flash at a very high frequency, enabling them to be detected by the laser receiver. To switch on receiver mode, press the receiver mode button(F).

The receiver mode indicator (G) will light up green. When receiver mode is switched on, the laser lines are less visible to the human eye. Therefore, switch receiver mode off by pressing the receiver mode button (F) again to work without a laser receiver. The receiver mode indicator (G) will go out.

USING WITH THE CLAMP, WALL MOUNT OR TRIPOD

At the bottom of the tool, a 1/4"-20 nut(J) and a 5/8"-11 nut(I) are located. Mount the tool to accessories like clamp, wall mount or tripod (not included) by assembling the tool nut with the 1/4"-20 and 5/8"-11 screws on the accessories.

With the accessories, the tool can work under various applications which makes jobs done easier.

Note: Make sure the tool can be assembled on the accessories without damage or interference to any part of the the measuring tool or the accessories.

APPLICATIONS

- The compact self-leveling cross line laser can be placed on the ground, mounted on a work bench / door frame etc. for point marking and simple alignment by sight, It is ideal for the following applications:
- Hanging pictures, photos, or artwork on walls
 - Wallpapering and stencil work
 - Framing doors and windows
 - Installing electrical wiring and pipes
 - Mounting wall fixtures, electrical outlets, switches and lighting
 - Installing a drop ceiling
 - Painting
 - Installing cabinets
 - Laying tile and flooring

MAINTENANCE

This compact laser measuring tool has been designed to be a low-maintenance tool. However, in order to maintain its performance, you must always follow these simple directions:

- Avoid exposing the tool to shock, continuous vibration or extreme hot or cold environment.
- Always store the tool indoors.
- Always keep the tool free of dust and liquids. Use only a clean soft cloth for cleaning. If necessary, slightly moisten the cloths with pure alcohol or a little water.
- Do not disassemble the compact laser measuring tool, this will expose the user to hazardous radiation exposure.
- Do not attempt to change any part of the laser lens.

TROUBLE SHOOTING

PROBLEM	CAUSE	SOLUTION
The laser line projection is weak.	Batteries are weak.	Replace with new batteries.
The laser line is hard to see.	The tool is out of the rated operating range	Move the tool closer to be within the rated operating range.
Laser line is not projected.	No batteries installed or batteries are depleted.	Install new batteries.
Laser line flickers for alert.	The surface where the tool has been placed is uneven or the tool is working under manual mode.	Place the tool on flat surface levels within +/-4 degrees.

WARRANTY

The Prexiso PLC3-360 has a two-year warranty. For further information on this, contact your dealer.

This warranty is void if product is used for commercial purposes. This warranty is not transferable and does not cover products damaged by misuse, neglect, accident, alterations or use and maintenance other than that specified in the owner's manual. This warranty does not apply to any expendable parts that can wear from normal use. This warranty excludes any accessories.

Printed in China

Prexiso AG
Fabrikstrasse 1
CH-8586 Erlen / Switzerland
Internet: www.prexiso-eu.com