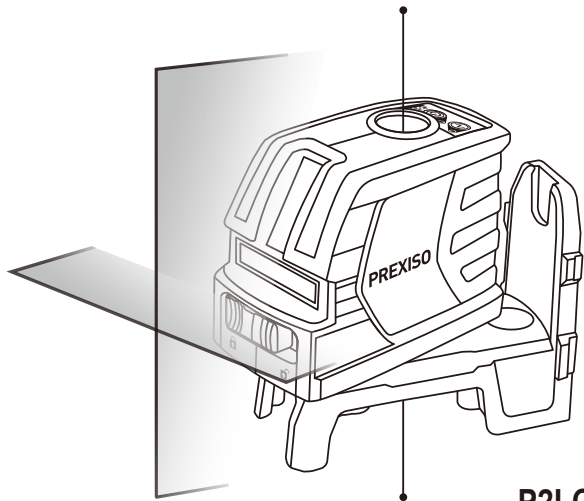


**IMPORTANT:**  
Read before Using

EN

# PREXISO



**P2LC15S**

**CROSS LINE LASER LEVEL WITH  
PLUMB POINTS**

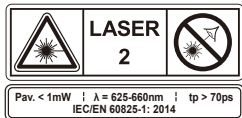
**2** LIMITED  
YEARS WARRANTY

[www.prexiso-eu.com](http://www.prexiso-eu.com)

## SAFETY INSTRUCTIONS

Working safely with the measuring tool is possible only when the operating and safety information are read completely and instructions contained herein are strictly followed. Never make warning labels on the measuring tool unrecognizable. **SAVE THESE INSTRUCTIONS.**

**Caution** – The use of operating or adjusting equipment or the application or processing methods other than those mentioned herein, can lead to hazardous radiation exposure.



### WARNING!

**LASER RADIATION.** Do not stare into beam. Class II laser product.

Turn the laser beam on only when using this tool.

Do not remove or deface any product labels.

- Avoid direct eye exposure. The laser beam can cause persons being blinded.
- Do not operate the tool around children or allow children to operate the tool.
- Do not place the tool in a position that may cause anyone to stare at the laser beam, whether intentionally or unintentionally.
- Do not use on reflecting surfaces such as sheet steel, glass or polished metal etc. that have shiny, reflective surfaces. The shiny surface could reflect the beam back at the operator.
- Always turn the laser tool off when not in use. Leaving the tool on increases the risk of someone inadvertently staring into the laser beam
- Do not attempt to modify the performance of this laser device in any way. This may result in a dangerous exposure to laser radiation.
- Do not attempt to repair or disassemble the laser-measuring tool. If unqualified persons attempt to repair this product, serious injury may occur. Any repair required on this laser product should be performed only by qualified service personnel.
- Use of other accessories that have been designed for use with other laser tools could result in serious injury.
- Do not operate the tool outdoors.
- Do not place or store tool under extreme temperature conditions.
- Do not operate the tool in explosive environments, such as in the presence of flammable liquids, gases or dusts. Sparks can be created in the tool which may ignite the dust or fumes.

- Keep the tool away from cardiac pacemakers. The magnet inside the tool generates a field that can impair the function of cardiac pacemakers.
- Keep the tool away from magnetic data medium and magnetically-sensitive equipment. The effect of the magnetic can lead to irreversible data loss.
- Measurement may not be accurate if used beyond the rated range of the device.
- The use of optical instruments with this product will increase eye hazard.
- Always make sure any bystanders nearby aware of the dangers of looking directly into the measuring tool.
- Do not use the laser viewing glasses as safety goggles, they do not protect eyes against laser radiation.
- Always remove the batteries when cleaning the laser light aperture to laser lens.

## TECHNICAL SPECIFICATIONS

COMPONENT	SPECIFICATIONS
Leveling Accuracy	±4mm@10m(±5/32"@32ft) *
Horizontal / Vertical Accuracy	±4mm@10m(±5/32"@32ft) *
Up Beam Accuracy:	± 3 mm / 10m ( 1/8" / 32 ft) *
Down Beam Accuracy:	±4mm@10m(±5/32"@32ft) *
Compensation Range:	± 4°±1°
Working distance(Line)	15M (50ft)*
Working Distance (Line with Detector):	40 m (130ft) *
Working distance(Dot)	30 m (100 ft) *
Laser Class:	Class 2 (IEC /EN60825-1)
Laser Wavelength	625 nm ~ 660 nm
Operating Time (All lasers ON):	8 hours (Alkaline)
Power Source:	3 x "AA" (LR6)
IP Rating:	IP54
Temperature Range (Operating):	-10° C ~ +50° C (14°F~122°F)
Temperature Range (Storage):	-20° C ~ +70° C (-4°F~158°F)
Horizontal Divergence Angle	7°
Vertical Divergence Angle	30°

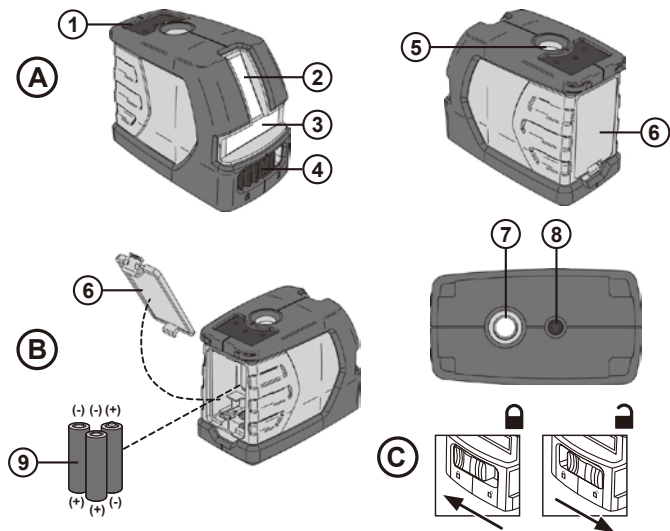
**\*Important:** The accuracy is rated within distance of 10 meters. Under unfavorable conditions, such as in extreme interior illumination, transparent surfaces (eg. glass, water), porous surfaces (eg. insulation materials) or reflecting surfaces (eg. polished metal, glass) or very rough surfaces (eg. rough cast, natural stone), the tool's measuring range and accuracy will be reduced.

## DESCRIPTION

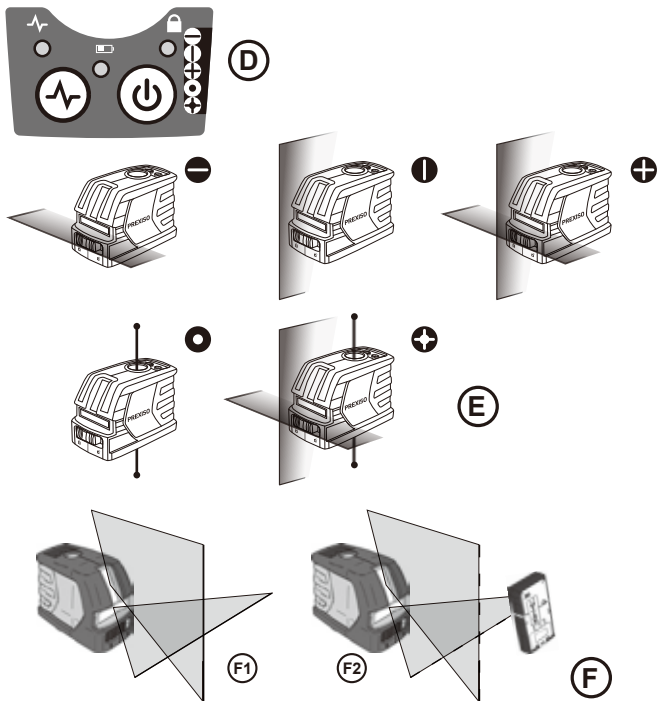
### CROSS LINE LASER LEVEL WITH PLUMB POINTS

This self-leveling cross line laser is a highly versatile tool. It can be placed on the ground, mounted on a door frame or work bench etc. when use the appropriate accessories eg. magnetic mounting bracket, tripod(not included) etc. but not limited.

- Self-leveling levels within +4 degrees to -4 degrees with an accuracy of  $\pm 4\text{mm}@10\text{M}$  ( $\pm 5/32"$  @32ft ).
- AA alkaline batteries



## DESCRIPTION



## PRODUCT OVERVIEW

### Figure A - Laser Tool

1. Keypad
2. Window for Vertical Beam Laser
3. Window for Horizontal Beam Laser
4. Pendulum / Transport Lock Window for Up Beam Laser
5. Battery Cover
6. 5/8 - 11 Threaded Mount
7. Window for Down Beam Laser
8. 1/4 - 20 Threaded Mount

## PRODUCT OVERVIEW

---

### Figure B - Laser Tool Battery Location

1. Battery Cover
2. Batteries - 3 x "AA" (LR6) (Included)

### Figure C - Pendulum / Transport Lock Positions


### Figure D - Keypad Configurations

### Figure E - Laser Modes

### Figure F - Pulse Mode

## KEYPAD, MODES, AND LED






### Keypads (See figure D)

 Power ON / OFF / Mode Key

 Pulse Mode ON / OFF Key

Modes (See figure E)


Available Modes

-  Horizontal Line
-  Vertical Line
-  Horizontal Line and Vertical Line (Cross)
-  Up and Down Dot Beam
-  All Line and Dot

### LEDs (See figure D)

 Power LED - Solid GREEN

 Power is ON

 Power LED - Blinking RED

 Low Battery

 Power LED - Solid RED

 Replace Battery / Battery Needs Recharging

 Pendulum / Transport Lock LED - Blinking RED

 Pendulum lock is not locked

 Pendulum / Transport Lock LED - Solid RED

 Pendulum lock is locked

### Pulse LED - Solid GREEN

Pulse Mode is ON

(Can be used with Detector)

## UNPACKING

---

When unpacking the box, do not discard any packing materials until all of the contents are accounted for:

- Self-Leveling Cross Line Laser Tool
- Magnetic mounting bracket
- bag
- 3 x AA alkaline batteries
- Operator's manual

Carefully lift the compact laser measuring tool out of the package and place it on a stable, flat surface.

### BATTERIES AND POWER

#### INSERTING/REPLACING THE BATTERY

AA alkaline batteries are recommended for the measuring tool.

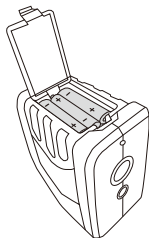
To open the battery compartment lid, press the latch and open it. Insert the batteries provided. Pay attention to the correct polarity of the batteries according to the representation on the metal plate inside the lid.

Always replace all batteries at the same time.

Only use batteries from one brand and with the identical capacity.

**NOTE:** Remove the batteries from the measuring tool when not using it for extended periods.

When storing for extended periods, the batteries can corrode and discharge themselves.



## SET UP

---

### Laser Tool

- Place laser tool on a flat, stable surface.

### Mounting on Accessories

- Position accessory in a place where it will not be easily disturbed and near the central location of the area to be measured.
- Set up the accessory as required. Adjust positioning to be sure that the accessory base is near horizontal (within laser tools compensation range).
- Mount the laser tool to the accessory by using the appropriate fastening method. At the bottom of the tool, a 1/4"-20 nut is located. Mount the tool to accessories like magnetic mounting bracket or tripod (not included) by assembling the tool nut with the 1/4"-20 screw on the accessories. With the accessories, the tool can work under various applications which makes jobs done easier.

**CAUTION:**

Do not leave the laser tool unattended on an accessory without fully tightening the fastening screw. Failing to do so may lead to the laser tool falling and sustaining possible damage.

**NOTE:**

It is best practice to always support laser tool with one hand when placing or removing laser tool from an accessory.

If positioning over a target, partially tighten the fastening screw, align laser tool, and then fully tighten

**OPERATION**

---

**NOTE:**

- See LED Descriptions for indications during operation.
- Before operating the laser tool, always make sure to check the laser tool for accuracy.
- Laser tool will indicate when it is out of compensation range. Reference LED • Descriptions. Reposition laser tool to be closer to level.
- When not in use, please be sure to power OFF the laser tool and place the pendulum lock in the locked position.

**Power**

- Press  to turn on the laser tool.
- To turn off the laser tool, repeatedly press  until the OFF mode is selected or press and hold  for  $\geq 3$  seconds to turn off the laser tool while in any mode.

**Modes(See figure E)**

- Press  repeatedly to cycle through the available modes.

**Self-Levelling (See figure C )**

- The pendulum lock on the laser tool needs to be switched to the unlocked position to enable self-leveling.

**Pulse Mode (See figure F)**

- When laser tool is ON, press to turn ON / OFF pulse mode.
- Pulse mode allows to use with laser detector.



## APPLICATIONS

---

The self-leveling cross line laser can be placed on the ground, mounted on an iron work bench / door frame etc. for point marking and simple alignment by sight, It is ideal for the following applications:

- Hanging pictures, photos, or artwork on walls
- Wallpapering and stencil work
- Framing doors and windows
- Installing electrical wiring and pipes
- Mounting wall fixtures, electrical outlets, switches and lighting
- Installing a drop ceiling
- Painting
- Installing cabinets
- Laying tile and flooring

## MAINTENANCE

This laser measuring tool has been designed to be a low-maintenance tool. However, in order to maintain its performance, you must always follow these simple directions:

- Avoid exposing the tool to shock, continuous vibration or extreme hot or cold environment.
- Always store the tool indoors.
- Always keep the tool free of dust and liquids. Use only a clean soft cloth for cleaning. If necessary, slightly moisten the cloths with pure alcohol or a little water.
- Do not disassemble the laser measuring tool, this will expose the user to hazardous radiation exposure.
- Do not attempt to change any part of the laser lens.

## TROUBLESHOOTING

---

PROBLEM	CAUSE	SOLUTION
The laser line projection is weak	Batteries are weak	Replace with new batteries
The laser line is hard to see	The tool is out of the rated operating range	Move the tool closer to be within the rated operating range
Laser line is not projected	No batteries installed or batteries are depleted	Install new batteries
Laser line flickers for alert.	The surface where the tool, has been placed is uneven or the tool is working under, manual mode	Place the tool on flat, surface levels within +/-4 degrees

## DISPOSE

---

### CAUTION

The batteries must not be disposed with household waste. Care for the environment and take them to the collection points provided in accordance with national or local regulations. Dispose of the product appropriately in accordance with the national regulations in force in your country. Adhere to the national and country specific regulations. Product specific treatment and waste management can be downloaded from our homepage.



### WARRANTY

The Instrument P2LC15S has a two-year warranty. For further information on this, contact your dealer. This warranty is void if product is used for commercial purposes. This warranty is not transferable and does not cover products damaged by misuse, neglect, accident, alterations or use and maintenance other than that specified in the owner's manual. This warranty does not apply to any expendable parts that can wear from normal use. This warranty excludes any accessories.

