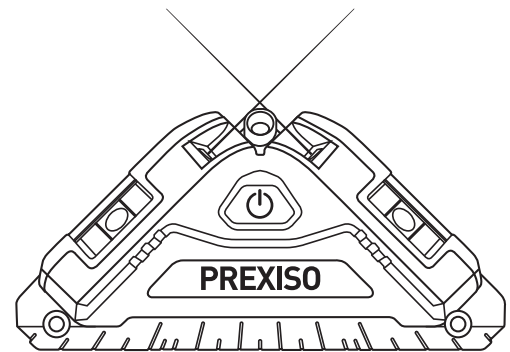


PREXISO



PTL10G

**65FT (20M)*
GREEN-BEAM LASER LEVEL
AND SQUARE**

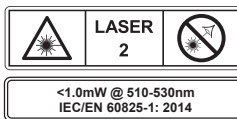


www.prexiso-eu.com

SAFETY INSTRUCTIONS

Working safely with the measuring tool is possible only when the operating and safety information are read completely and instructions contained herein are strictly followed. Never make warning labels on the measuring tool unrecognizable. **SAVE THESE INSTRUCTIONS.**

Caution – The use of operating or adjusting equipment or the application or processing methods other than those mentioned herein, can lead to hazardous radiation exposure.



WARNING

LASER RADIATION. Do not stare into beam. Class II laser product. Turn the laser beam on only when using this tool.

- **Do not remove or deface any product labels.**
- **Avoid direct eye exposure.** The laser beam can cause persons being blinded.
- **Do not** operate the tool around children or allow children to operate the tool.
- **Do not** place the tool in a position that may cause anyone to stare at the laser beam, whether intentionally or unintentionally.
- **Do not** use on reflecting surfaces such as sheet steel, glass or polished metal etc. that have shiny, reflective surfaces. The shiny surface could reflect the beam back at the operator.
- **Always turn the laser tool off when not in use.** Leaving the tool on increases the risk of someone inadvertently staring into the laser beam
- **Do not** attempt to modify the performance of this laser device in any way. This may result in a dangerous exposure to laser radiation.
- **Do not** attempt to repair or disassemble the laser-measuring tool. If unqualified persons attempt to repair this product, serious injury may occur. Any repair required on this laser product should be performed only by qualified service personnel.
- Use of other accessories that have been designed for use with other laser tools could result in serious injury.

- **Do not** operate the tool outdoors.
- **Do not** place or store tool under extreme temperature conditions.
- **Do not** operate the tool in explosive environments, such as in the presence of flammable liquids, gases or dusts. Sparks can be created in the tool which may ignite the dust or fumes.
- Keep the tool **away from** cardiac pacemakers. The magnet inside the tool generates a field that can impair the function of cardiac pacemakers.
- Keep the tool **away from** magnetic data medium and magnetically-sensitive equipment. The effect of the magnetic can lead to irreversible data loss.
- Measurement **may not** be accurate if used beyond the rated range of the device.
- The use of optical instruments with this product will increase eye hazard.
- **Always** make sure any bystanders nearby aware of the dangers of looking directly into the measuring tool.
- **Do not** use the laser viewing glasses as safety goggles, they do not protect eyes against laser radiation.
- **Always** remove the batteries when cleaning the laser light aperture to laser lens.

TECHNICAL SPECIFICATIONS

COMPONENT	SPECIFICATIONS
Laser	$\lambda=510-530\text{nm}$, Class II laser, maximum laser output<1mW
Operating range (typically)	65FT (20M)*
Accuracy (typically)	$\pm 3/8\text{IN}@30\text{FT}$ ($\pm 1\text{mm}@\text{m}$)*
Estimated battery life	10 hours (alkaline batteries)
Optimum operating temperature	32°F to 104°F (0°C to 40°C)
Storage temperature	14°F to 140°F (-10°C to 60°C)
Batteries	3 x 1.5V alkaline AA

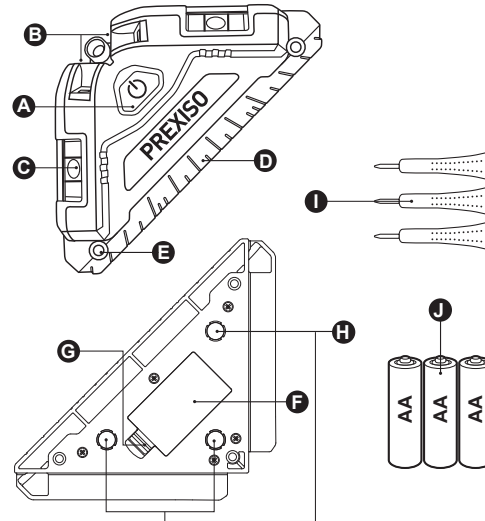
*Important: The accuracy is rated within distance of 20 meters. Under unfavorable conditions, such as in extreme interior illumination, transparent surfaces (eg. glass, water), porous surfaces (eg. insulation materials) or reflecting surfaces (eg. polished metal, glass) or very rough surfaces (eg. rough cast, natural stone), the tool's measuring range and accuracy will be reduced.

DESCRIPTION

KNOW YOUR LASER LEVEL AND SQUARE

This is a highly versatile tool. It can be placed on the ground, mounted on a door frame, work bench etc.

- An accuracy of $\pm 3/8\text{IN}@30\text{FT}$ ($\pm 1\text{mm}@\text{m}$).
- AA alkaline batteries.



PARTS	DESCRIPTION
A	Power button
B	Laser aperture
C	Leveling vials
D	90° layout guide
E	Mounting hole
F	Battery compartment lid
G	Battery compartment latch
H	Magnets
I	Mounting nails
J	AA batteries

UNPACKING

When unpacking the box, do not discard any packing materials until all of the contents are accounted for:

- Laser level and square
- 3 x AA alkaline batteries
- 3pcs mounting nails
- Operator's manual

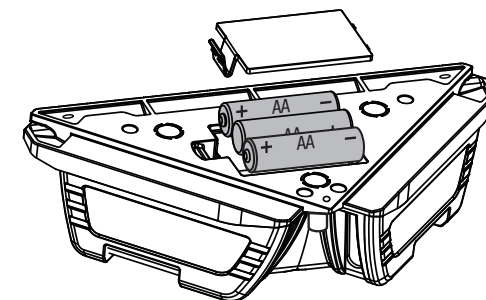
Carefully lift the laser tool out of the package and place it on a stable, flat surface.

ASSEMBLY

INSERTING/REPLACING THE BATTERY

AA alkaline batteries are recommended for the measuring tool. To open the battery compartment lid, press the latch and remove the battery lid. Insert the batteries provided. Pay attention to the correct polarity of the batteries according to the representation on the metal plate inside the lid. Always replace all batteries at the same time. Only use batteries from one brand and with the identical capacity.

NOTE: Remove the batteries from the tool when not using it for extended periods. When storing for extended periods, the batteries can corrode and discharge themselves.



OPERATION

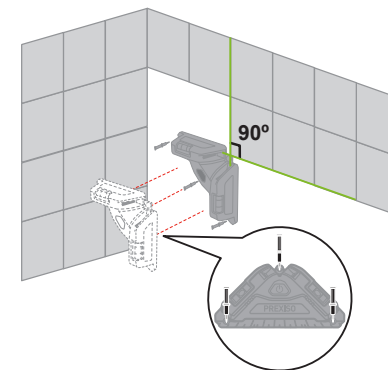
1. TO TURN THE LASER TOOL ON AND OFF

The power button is located on the top of the tool housing. To turn on the tool, press the power button once briefly. Immediately after turning on, the tool projects the two laser line 90° from the laser aperture.

WARNING: When turning on the tool laser, always be aware of protecting your eyes and the eyes of those around you. Never point the laser at anyone's face, including your own.

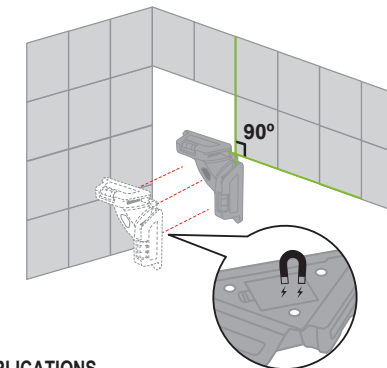
2. USING WITH THE NAILS

The mounting nails allow the tool to work in various applications such as set up the device on a wall, an inclined surface etc. Put the mounting nails through the mounting holes and fix the tool on a wall or an inclined surface etc.



3. USING WITH THE MAGNETIC BASE

The magnetic base allows the tool to work on ferrous metal.



4. APPLICATIONS

The tool can be placed on the ground, mounted on a work bench / door frame etc. for point marking and simple alignment by sight. It is ideal for the following applications:

- Laying tile and flooring
- Checking right angles
- Wallpapering and stencil work
- Framing doors and windows
- Installing electrical wiring and pipes
- Mounting wall fixtures, electrical outlets, switches and lighting
- Installing a drop ceiling
- Painting
- Installing cabinets

MAINTENANCE

This compact laser measuring tool has been designed to be a low-maintenance tool. However, in order to maintain its performance, you must always follow these simple directions:

- **Avoid** exposing the tool to shock, continuous vibration or extreme hot or cold environment.
- **Always** store the tool indoors.
- **Always** keep the tool free of dust and liquids. Use only a clean soft cloth for cleaning. If necessary, slightly moisten the cloths with pure alcohol or a little water.
- **Do not** disassemble the compact laser measuring tool, this will expose the user to hazardous radiation exposure.
- **Do not** attempt to change any part of the laser lens.

TROUBLESHOOTING

PROBLEM	CAUSE	SOLUTION
The laser line projection is weak.	Batteries are weak.	Replace with new batteries.
The laser line is hard to see.	The tool is out of the rated operating range	Move the tool closer to be within the rated operating range.
Laser line is not projected.	No batteries installed or batteries are depleted.	Install new batteries.

WARRANTY

Two-Year Limited Warranty. This product is warranted to the original purchaser from the original purchase date for two years subject to the warranty coverage described herein. Please retain your receipt. This product is warranted to the original user to be free from defects in material and workmanship. If you believe that the product is defective at any time during the specified warranty period, please contact Prexiso customer service agent by sending email to info@prexiso-eu.com. This warranty does not cover: (1) Part failure due to normal wear or product abuse; (2) Any parts have been altered or modified by anyone other than an authorized Prexiso personnel or failure to install and operate equipment according to the guidelines put forth in the instruction manual. (3) Any products or parts used for rental purposes, damage resulting from shipping (claims must be filed with freighter), accident, abuse, act of God, misuse, or neglect. Prexiso will replace or repair the defective unit, at its option, subject to verification of the defect. Any implied warranties arising from the sale of a Prexiso product, including but not limited to implied warranties of merchantability and fitness for a particular purpose, are limited to the above. Prexiso shall not be liable for loss of use of the product or other incidental or consequential damages, expenses, or economic loss, or for any claim of such damage, expenses, or economic loss. This warranty excludes any accessories. This warranty gives you specific legal rights, and you may also have other rights that vary from state.

Printed in China

Prexiso AG
Fabrikstrasse 1
CH-8586 Erlen / Switzerland
www.prexiso-eu.com